

ONEPOLE Cliff

Art-no: Q3384. | GTIN: 7090037705156

HS-Code: 7610909092

Country of origin

Norway

Material

Powder-coated
searesistant aluminum

Color

RAL9005

Surface treatment

Powdercoated
ISO 12944, Category C4

Protection class

Class I, must be connected to PE

Degree of protection

IK10

Gross Measurement

95x95x180 mm

Weight

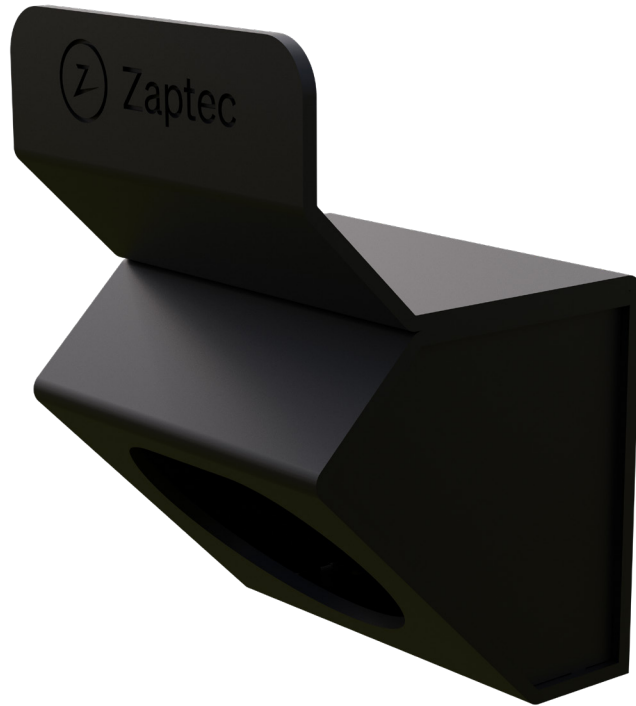
0,350 kg

Gross weight

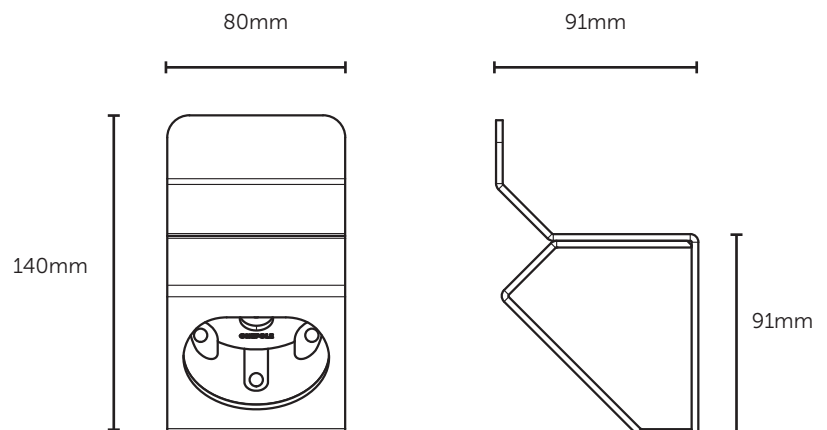
0,410kg

Accessories

Foam insert



Technical drawing



ONE SYSTEM
ENDLESS POSSIBILITIES

Data sheet | 2022 | www.onepole.no

PRODUCED AND DESIGNED IN NORWAY 