

Adapterplate for Zaptec Pro - RAL9005

ZB100157 | GTIN: 7090037705309

HS-Code: 7610909092

Country of origin

Norway

Material

Powder-coated
searesistant aluminum

Color

RAL9005

Surface treatment

Powdercoated
ISO 12944, Category C4

Protection class

Class I, must be connected to PE

Degree of protection

IK10

Gross Measurement

340x170x10mm

Weight

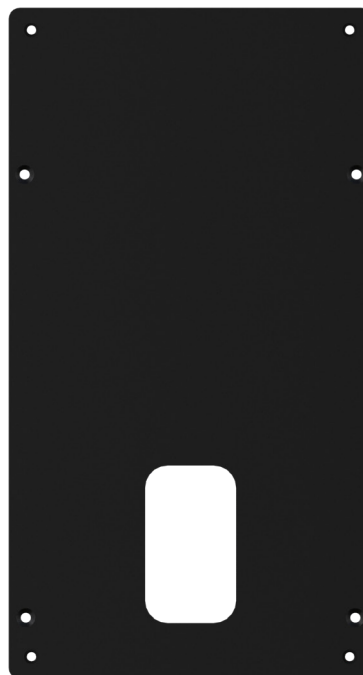
0,39kg

Gross weight

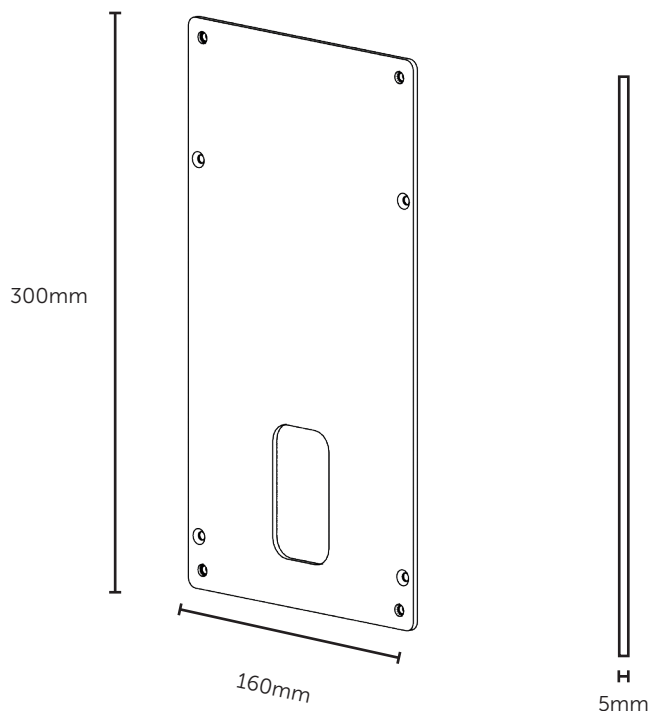
0,395kg

Accessories

M4x10 recessed screws 4pcs



Technical drawing



ONE SYSTEM
ENDLESS POSSIBILITIES

Data sheet | 2022 | www.onepole.no

PRODUCED AND DESIGNED IN NORWAY 