



Flip the page  
and it will all  
make sense →

Zaptec Sense manual

We know that houses and apartment buildings have limited power. This is why we created Zaptec Sense. It helps you utilise your power in the smartest possible way, while also protecting your circuit breakers. Charge as many electric vehicles as possible, as quickly as possible using the power available.

For å laste ned denne håndboken på ditt eget språk, gå inn her  
Denne brugervejledning kan downloades på dit sprog her  
För att ladda ner denna bruksanvisning på ditt språk, gå in här  
Um dieses Benutzerhandbuch in Ihrer Sprache herunterzuladen, klicken Sie bitte hier  
Para descargar este manual de usuario en su idioma, entre aquí  
Jos haluat ladata tämän käyttöohjeen omalla kielelläsi, siirry tänne  
Pour télécharger ce manuel d'utilisation dans votre langue, veuillez vous rendre à la page suivante  
Per scaricare questo manuale per l'utente nella tua lingua, visita  
Til að hlaða niður þessari notendahandbók á þínu tungumáli skaltu fara hingað  
U downloadt deze gebruikershandleiding in uw taal hier  
Aby pobrać tę instrukcję obsługi w swoim języku, odwiedź tę stronę  
Para descarregar este manual do utilizador na sua língua, visite



[zaptec.com/sense-manual](https://zaptec.com/sense-manual)



## Table of Contents

E-meter installation	8
P1 installation	9

## Important information

### **Included in the package**

- Zaptec Sense
- Custom Micro USB cable
- Adhesive magnet sheet
- Double-sided tape

### **Required equipment**

- 5V DC DIN rail power supply. Minimal output current: 1A.
- DIN rail digital energy meter. A list of supported energy meters can be found on **[zaptec.com/en/sense](https://zaptec.com/en/sense)**.

### **Optional**

- Unshielded CAT5e/CAT6 Ethernet cable

## Important information



Installation may only be performed by an authorised electrician. Additional equipment must be installed according to the installation manual provided by the manufacturer. The Modbus baud rate must be configured to 9.6 kbps.

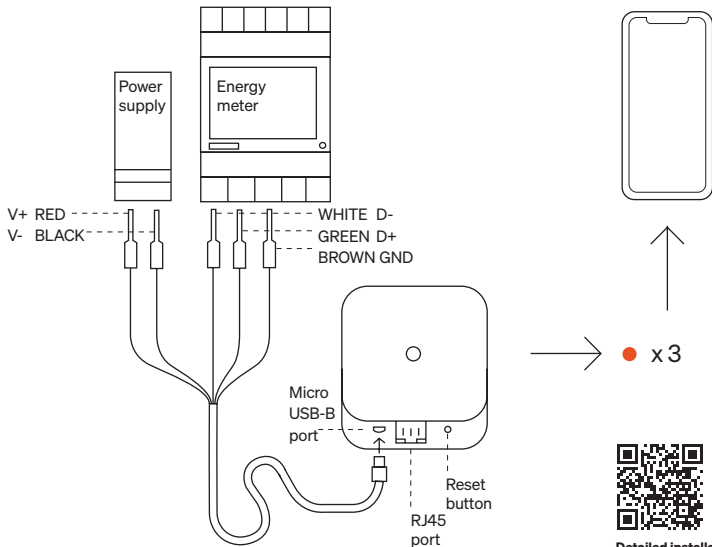


Zaptec Sense supports both Wi-Fi and Ethernet connections. This can be configured in the installation process and in settings afterwards. For Ethernet, connect Ethernet cable to the RJ45 port.



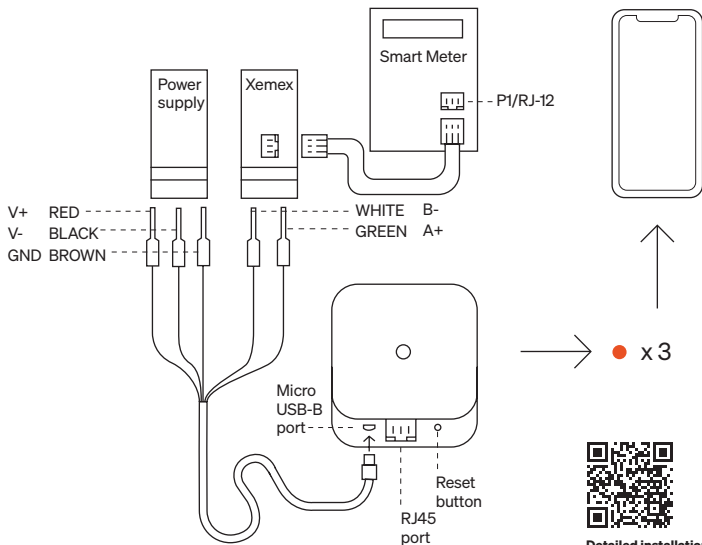
If Zaptec Sense loses internet connectivity or is disconnected, the charging station will be set to provide minimum power (6A). Minimum power can be changed in the Zaptec portal.

# Installation e-meter





# Installation P1



**Detailed installation diagram**  
zaptec.com/sense-installation

## Installation

1. Download and open the **Zaptec app** from App Store or Google Play.
2. Create an account or log in.
3. Press the ●●● icon to install Zaptec Sense, or swipe right on the home screen and press **Add new** button. Scan the QR-code on the back of this guide and follow the instructions on screen.

## Configuration

To adjust network settings after installation, hold your mobile phone near the Zaptec Sense device, open the **Zaptec app** and press the ●●● icon to configure Zaptec Sense.

---

## Light indicator

---



Not configured. No internet connection. Log in via the **Zaptec app** and set up a Wi-Fi network. For Ethernet: Log in via Zaptec app to activate Ethernet or check ethernet cable connection.



No Modbus data received.



No IP Received for either Ethernet or Wi-Fi



IP received, but no contact with cloud.



Zaptec Sense is configured and active.

---

## Guarantee

Your Zaptec product comes with a five (5) year guarantee at no additional cost. Please find the guarantee document at [zaptec.com/guarantee](http://zaptec.com/guarantee)

## Technical specification

<b>Mechanical and installation</b>					
PARAMETER	DESCRIPTION	MIN	TYP	MAX	UNIT
Dimensions	H: W: D:			58.4 58.6 25.1	mm
Weight	Including Micro USB cable			97	g
Altitude				2000	m
Input cable	Custom Micro USB-B cable (Power supply + RS485)		1.8		m
	Unshielded CAT5e/CAT6 cable			30	m

<b>General</b>				
PARAMETER	MIN	TYP	MAX	UNIT
Rated voltage	4.5	5	5.5	VDC
Rated current	200		750	mA
Standby power consumption			1.5	W
Ambient operating temperature	-20		40	°C

<b>Connectivity</b>	
PROTOCOL	SUPPORTED STANDARDS
Wi-Fi	IEEE 802.11b/g/n (2.4 GHz)
Bluetooth	Bluetooth V4.2 (BLE)
Ethernet	ISO/IEEE 802.3u/az(10/100 Mb/s)
Modbus	9.6 kb/s



Zaptec Sense is designed for indoor use





Zaptec Charger AS  
Professor Olav Hanssens vei 7A  
4021 Stavanger

Made in Norway



[zaptec.com](https://zaptec.com)

---