

# DATA SHEET

## ONEPOLE Adapter R60 Q2D17

**Material**

Powder-coated  
searesistant aluminum

**Color**

RAL9005 (Standard)

**Surface treatment**

Powdercoated  
ISO 12944, Category C4

**Protection class**

Class I, must be connected to PE

**Degree of protection**

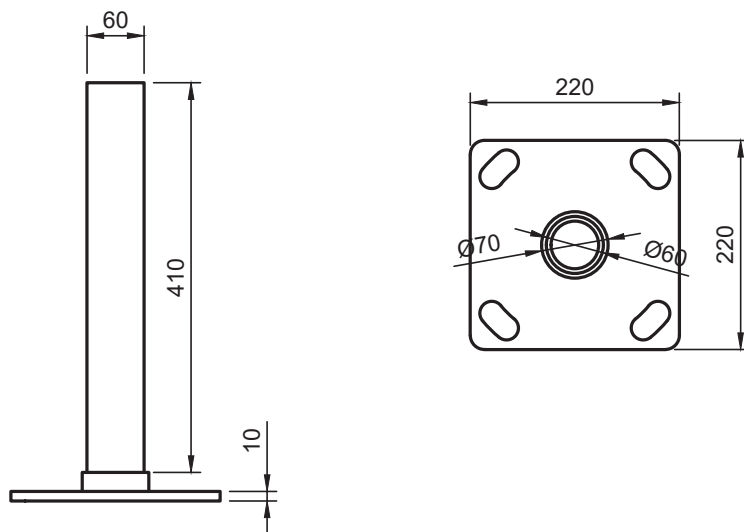
IK10

**Measurement**

220x220x410mm

**Weight**

2,2kg



ONE SYSTEM  
ENDLESS POSSIBILITIES

Data sheet | 2021 | [www.onepole.no](http://www.onepole.no)

rev.1.1 | 10.06.2021

PRODUCED AND DESIGNED IN NORWAY 