

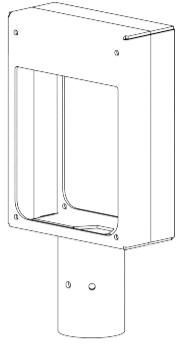
# ONEPOLE Tophead - Zaptec Go manual

ZM000792 - Go Tophead Column Single  
 ZM000793 - Go Tophead Column Twin

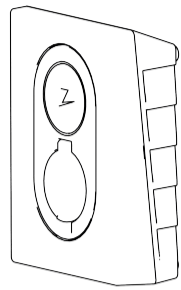
ZM000796 - Go Tophead Single  
 ZM000797 - Go Tophead Twin



Tophead



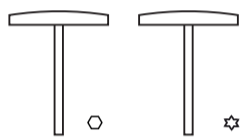
Zaptec Go charger



Blind plate (Premounted)  
 Single only



Column  
 Ø60x1340mm



M8x10  
 Fastener bolts  
 Column only



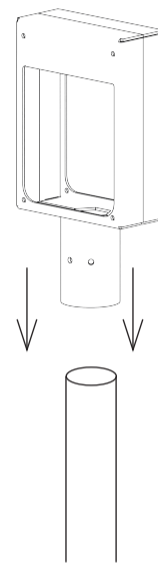
M4x10  
 Blind plate bolts  
 Single only



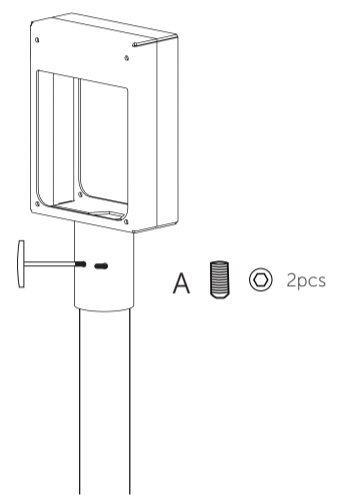
M4x10  
 mounting bolts  
 for Zaptec Go



1 ZM000792 - Go Tophead Column Single  
 ZM000793 - Go Tophead Column Twin

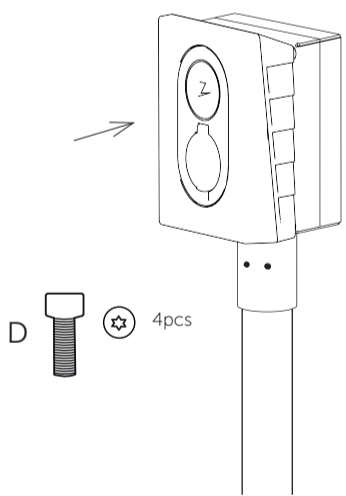


2 ZM000792 - Go Tophead Column Single  
 ZM000793 - Go Tophead Column Twin



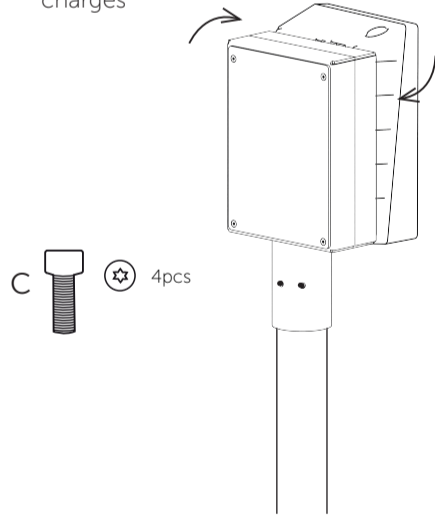
ZM000796 - Go Tophead Single  
 1 - ZM000792 - Go Tophead Column Single

Check Zaptec Go manual  
 for mounting guide

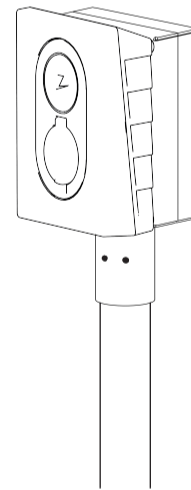


ZM000796 - Go Tophead Single  
 2 - ZM000792 - Go Tophead Column Single

Blind plate is premounted.  
**Optional:** Remove the blind  
 plate to add additional  
 charges

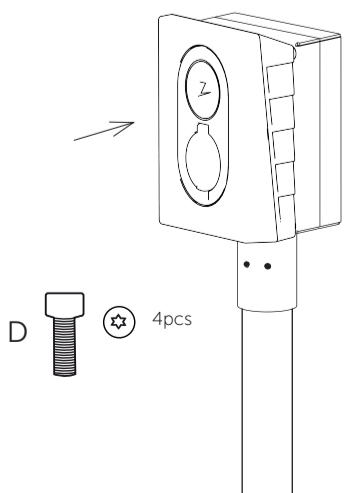


ZM000796 - Go Tophead Single  
 ZM000792 - Go Tophead Column Single



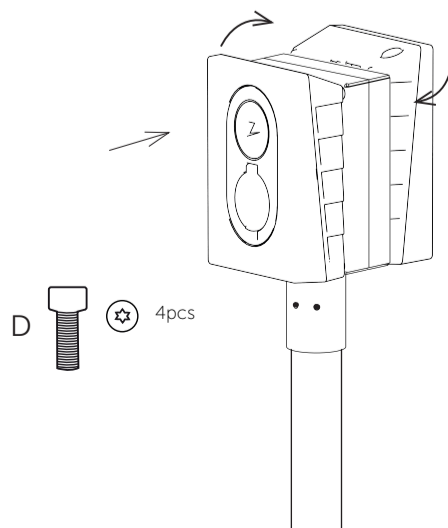
ZM000797 - Go Tophead Twin  
 1 - ZM000793 - Go Tophead Column Twin

Check Zaptec Go manual  
 for mounting guide



ZM000797 - Go Tophead Twin  
 2 - ZM000793 - Go Tophead Column Twin

Check Zaptec Go manual  
 for mounting guide



ZM000797 - Go Tophead Twin  
 ZM000793 - Go Tophead Column Twin

