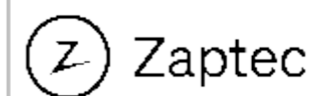
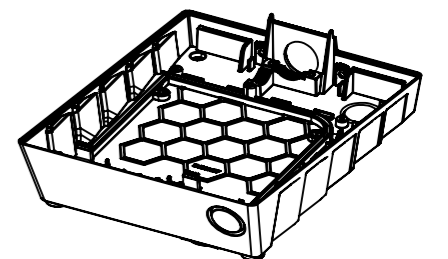
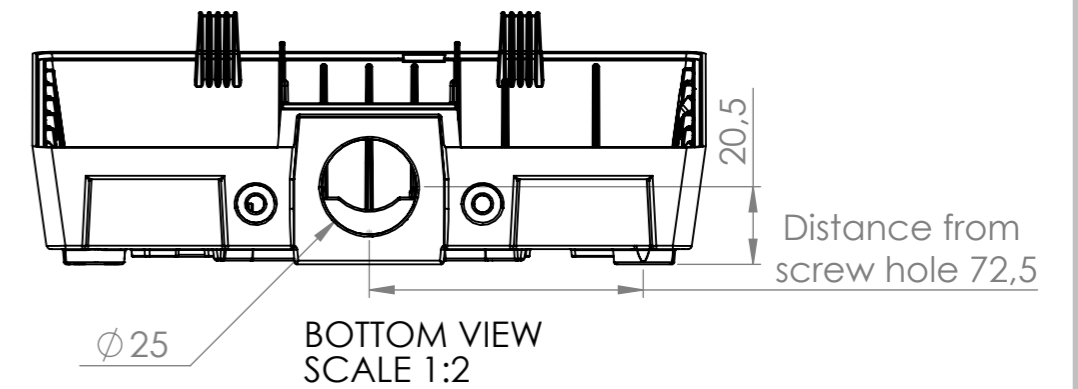
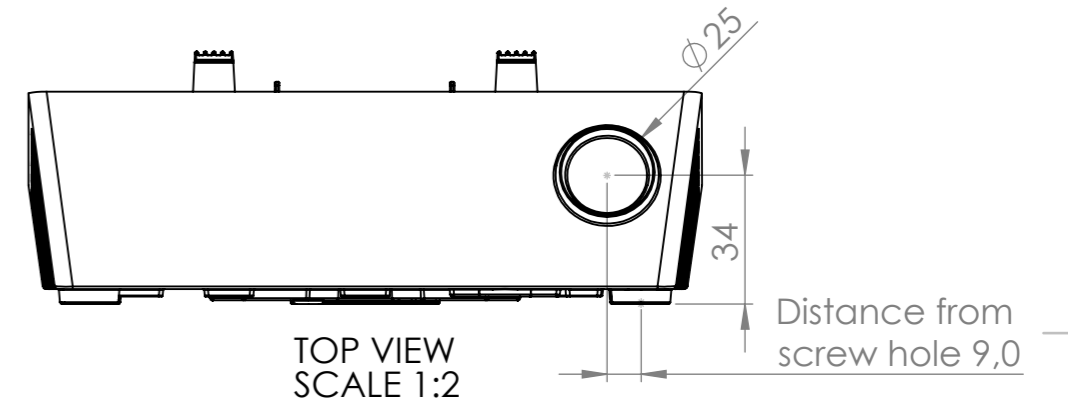
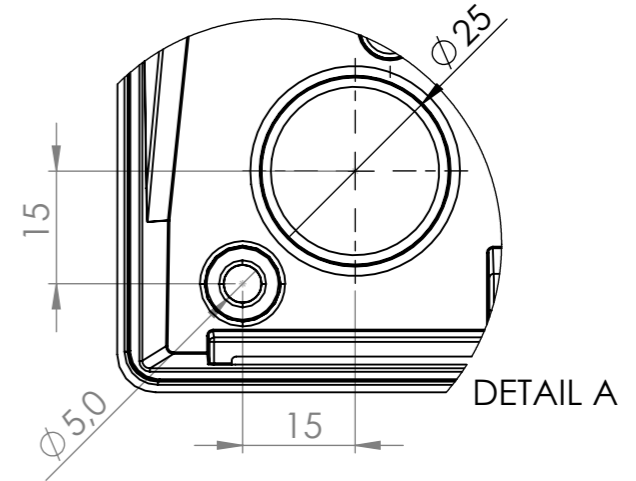


Note to drawing sheet: Hole pattern for installation personell. Do NOT use for part verification. ONLY this page is approved for sharing externally.



PART NUMBER:  
**ZM900090**

PLM DOC. NUMBER:  
**12278**

TITLE:  
**Base**

DOC. REV. <b>2</b>	SHEET 2 OF 2	SHEET SCALE <b>1:1</b>	SHEET SIZE <b>A3</b>
-----------------------	-----------------------	---------------------------	-------------------------